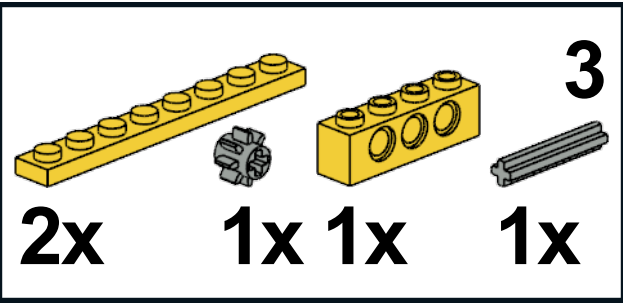
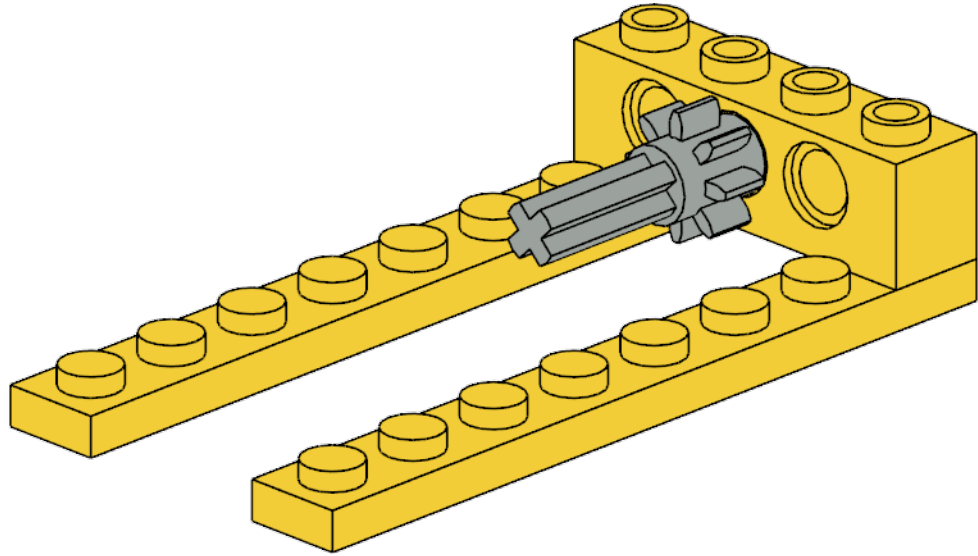


1

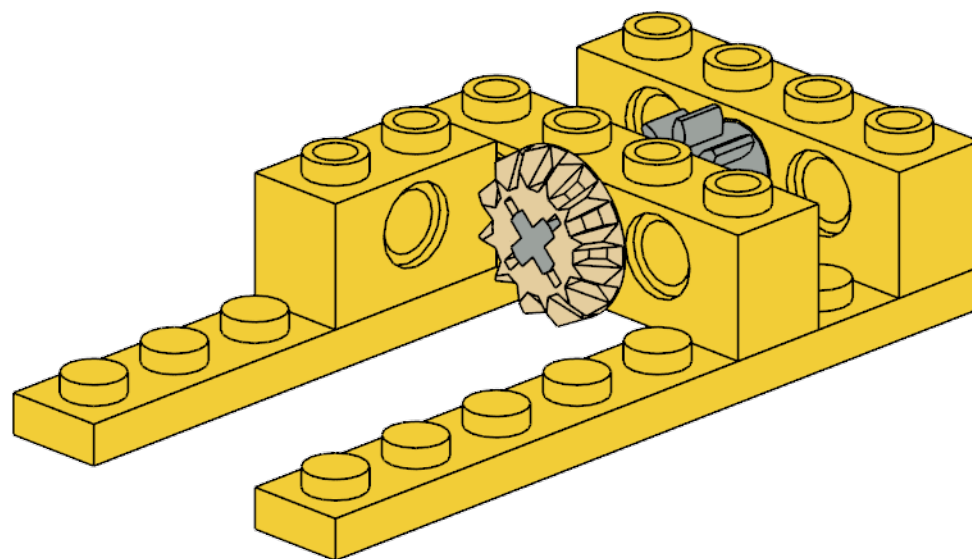
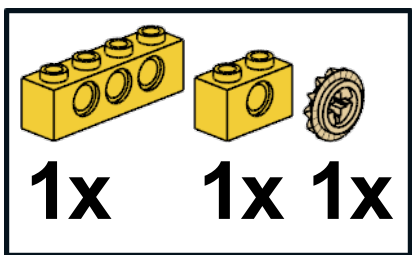


2x 1x 1x 3 1x


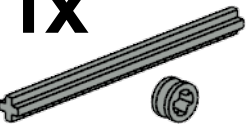

This block contains a list of parts for step 1. It includes two yellow 1x10 Technic beams, one grey axle, one grey axle pin, one yellow 1x3 Technic beam with two holes, and three grey Technic pins. The quantities are listed below each part: 2x for the 1x10 beams, 1x for the axle, 1x for the axle pin, 3 for the pins, and 1x for the 1x3 beam.

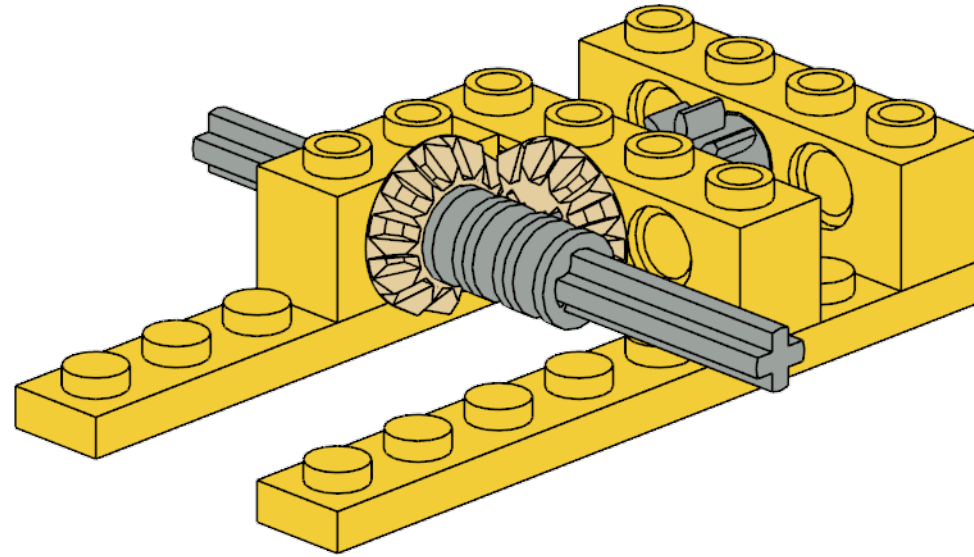


2

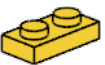


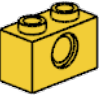


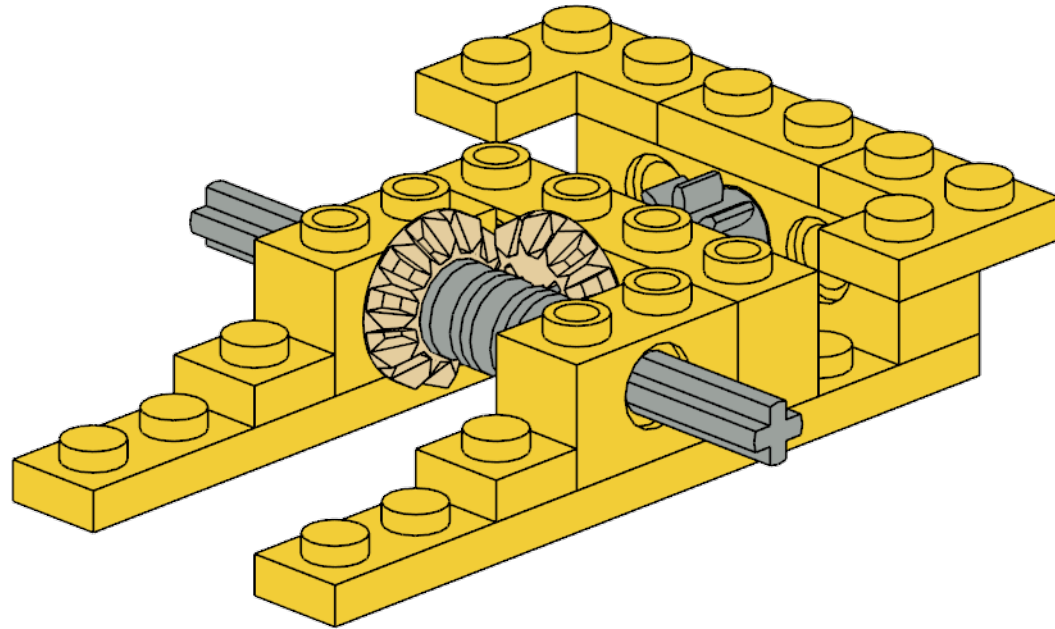
3

	7
1x	
1x	
1x	3x

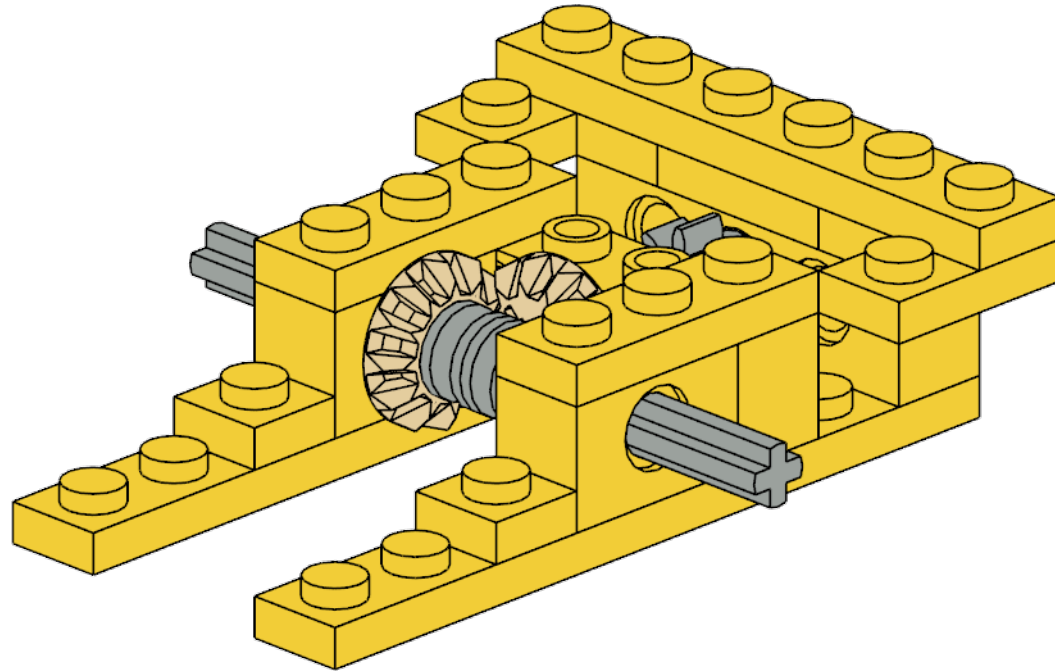
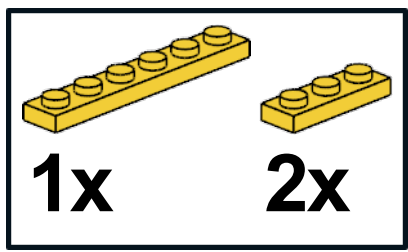


4

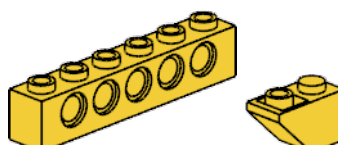
		
<b>1x</b>	<b>2x</b>	
		
<b>2x</b>	<b>1x</b>	



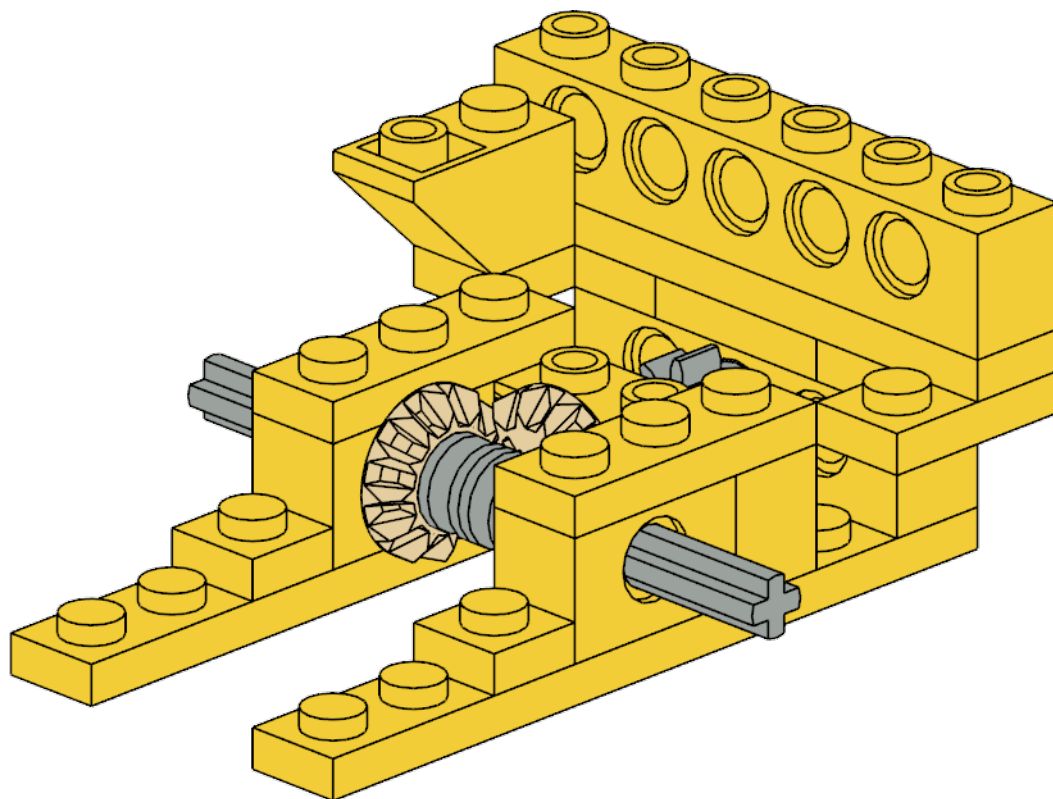
5



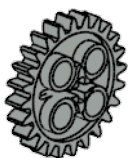
**6**



**1x**      **1x**



7

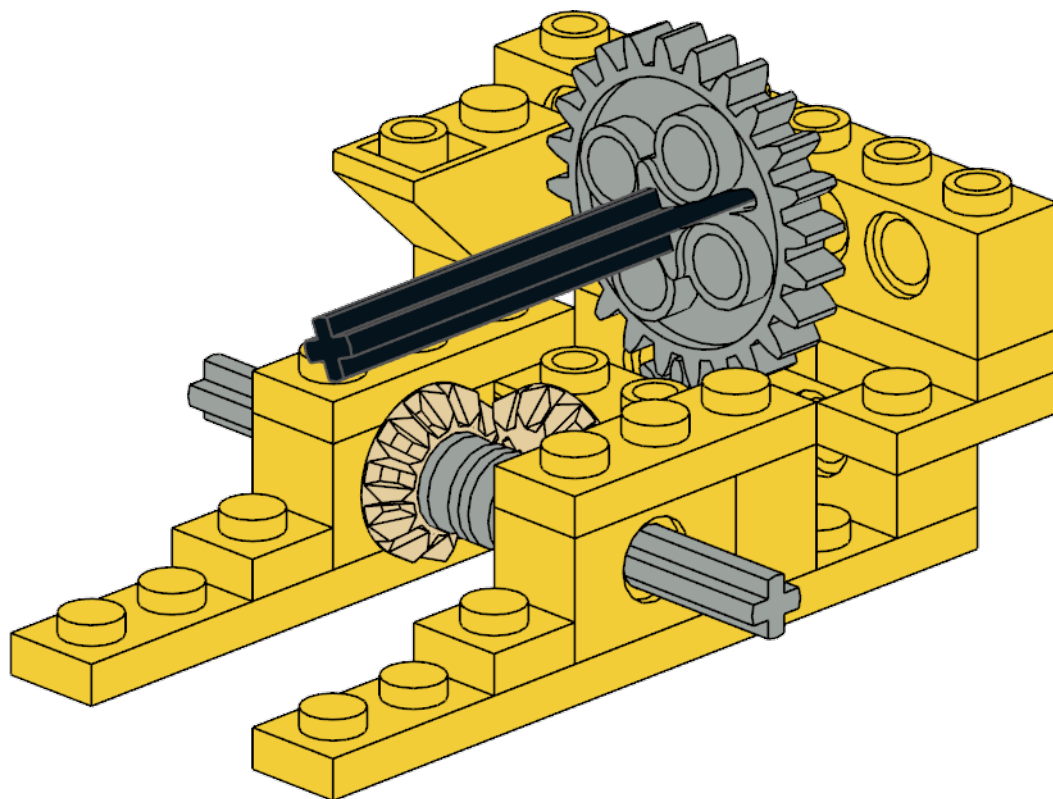


1x

6



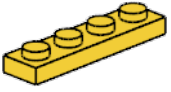
1x



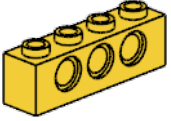
8



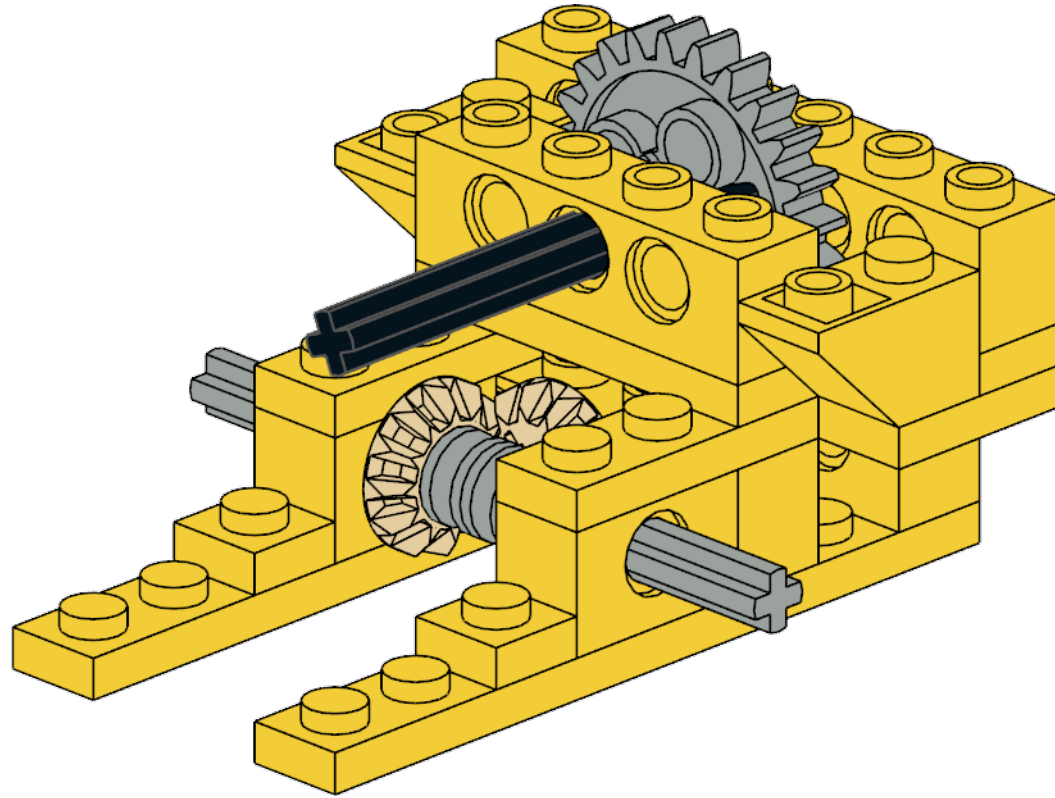
1x



1x

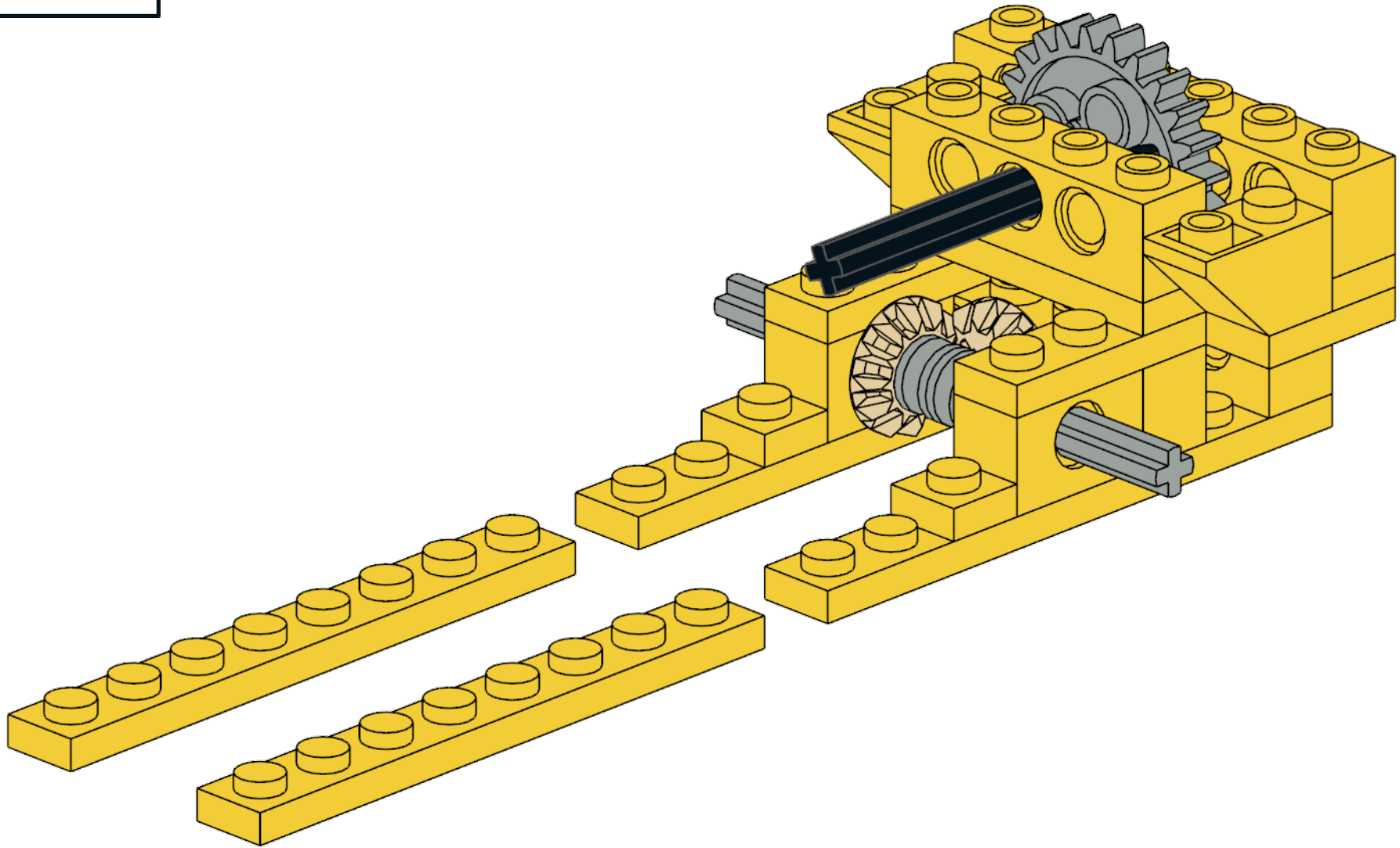
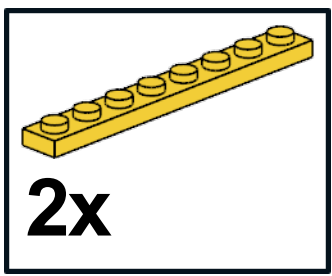


1x

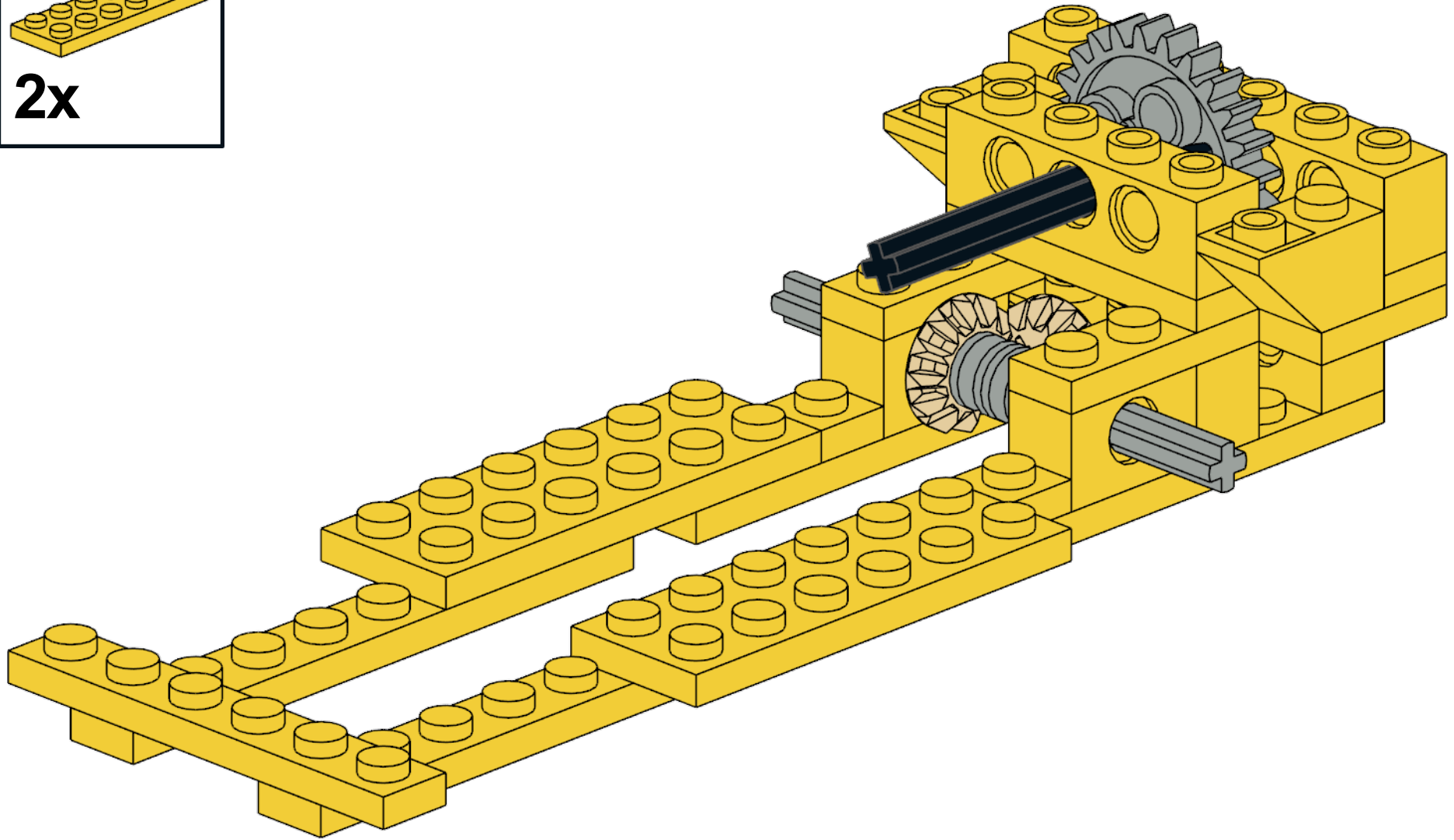
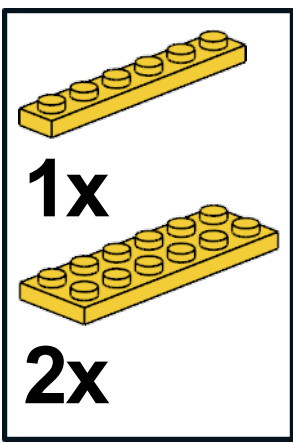




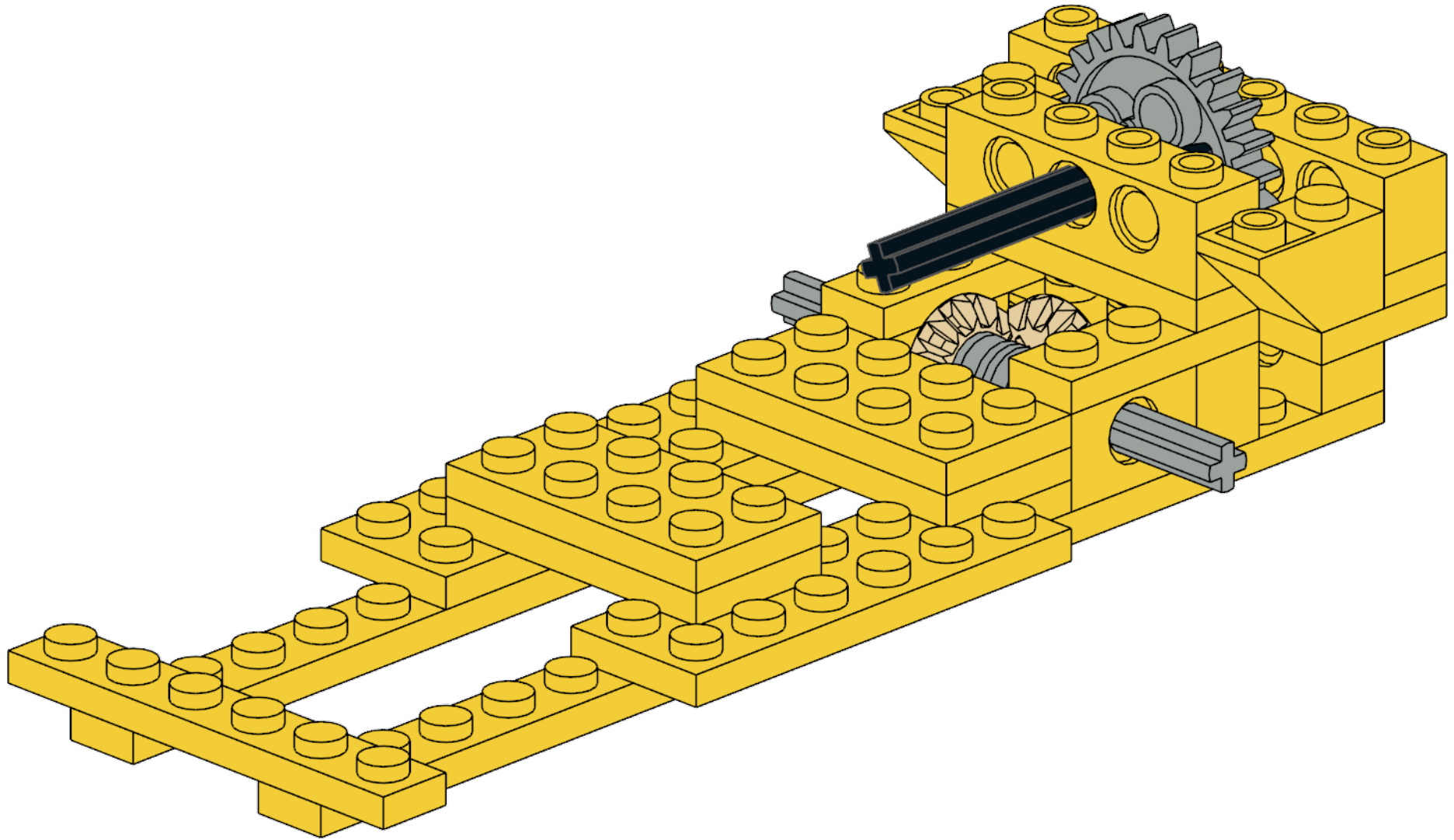
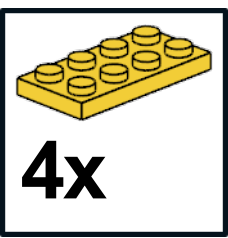
9



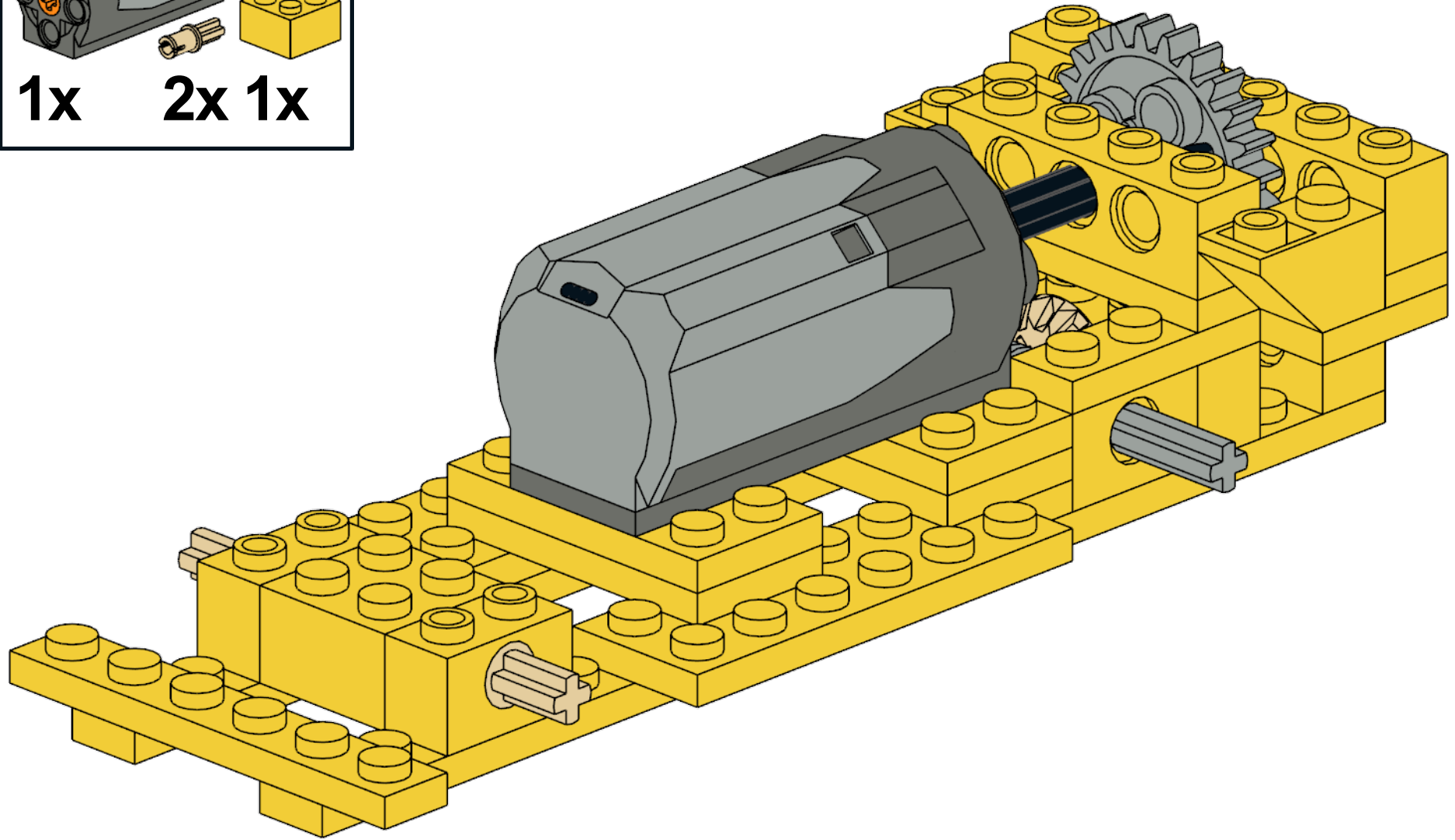
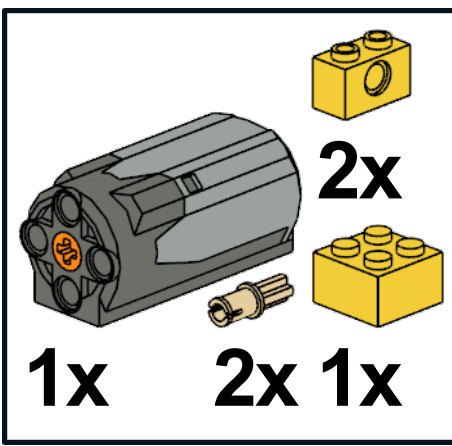
10



11



# 12



# 13

